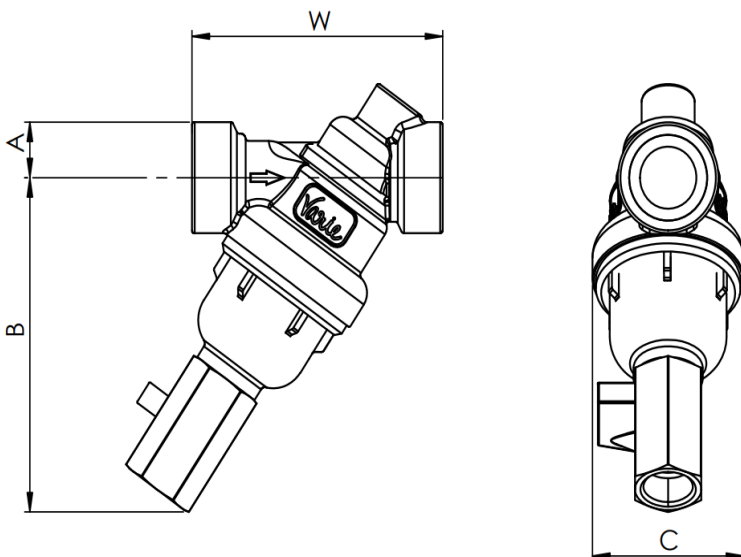


Technical Specification -

Body : UPVC – Y design
 Filter : SS 316 – 200 microns
 Medium : Water.
 Pressure : PN 10 (10 kg/cm²)
 Temperature : 55 Deg Cel

Outlet Pressure : 1.0 to 5 kg/cm sq
 End connection : N - Female threaded BSP /
 S- Solvent cement joint.
 Size (mm) : 15, 20. (25,32 under dev)

All parts are nontoxic – suitable for potable water.



SIZE	A	B	C	W
15	19	115	57	94.5
20	19	115	57	94.5