

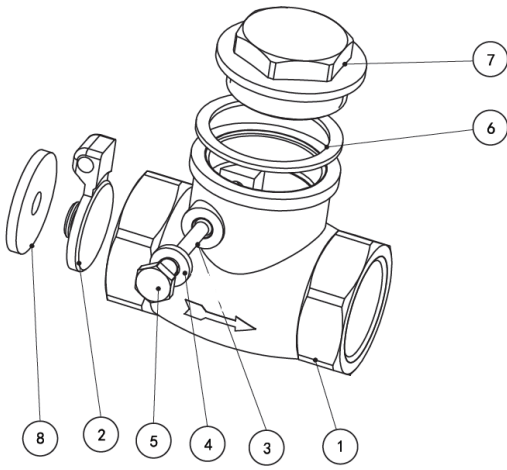
Salient features

- Maximized bore area to minimize the pressure drop.
- Nitrile seal on flap to give drop tight seal even at low reverse pressure.

Technical Specification

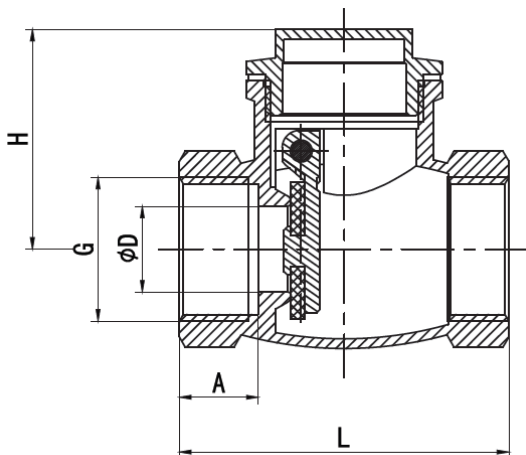
Pressure : PN 16 (16 kg/cm²)
 Temperature : upto 80 deg cel.
 Medium : Water.
 End connection : Female threaded BSP
 Size (mm) : 15, 20, 25, 32, 40, 50, 65.

All parts are nontoxic – suitable for potable water.



	Part	Material
1	Body	HPb57-3
2	Disc	HPb57-3
3	Pin	SS201
4	Washer	Vulcanized fibre
5	Screw	HPb57-3
6	Washer	PTFE
7	Bonnet	HPb57-3
8	Washer	NBR

Dimension –



G	φD	L	A	H	WEIGHT/G
1/2"	13.5	51	13	37.4	165
3/4"	18	56	13	36	195
1"	23	65	14	42	273
1-1/4"	31	83	18	58.5	640
1-1/2"	38	78	14	55	585
2"	45	104	18	69	1168
2-1/2"	52	112	18.5	73.5	1533